

TYPICAL WOOD DECK/GUARD DETAIL

TOWN OF GRAVENHURST

THE FOLLOWING DETAILS ARE FOR GRAPHICAL REPRESENTATION ONLY AND SHOULD HAVE ALL DIMENSIONS/REQUIREMENTS VERIFIED THROUGH THE CURRENT ONTARIO BUILDING CODE REQUIREMENTS. THESE DETAILS WILL NOT BE ACCEPTED FOR USE OF A PERMIT APPLICATION.

NOTES:

FOOTINGS

ALL FOOTINGS ARE REQUIRED TO BE MIN. 4' DEEP OR PINNED TO BEDROCK WITH AT LEAST 2 PINS. THE MINIMUM SONOTUBE SIZE FOR 6X6 POSTS IS 9".

WOOD POSTS SUPPORTING BEAMS

THE MINIMUM WOOD POST SIZE IS 6X6 UNLESS IT CAN BE SHOWN LESSER SIZES ARE ADEQUATE. THE WIDTH OF POSTS SHOULD BE NO SMALLER THAN THE WIDTH OF THE SUPPORTED MEMBER. POSTS ARE REQUIRED TO BE MECHANICALLY ATTACHED TO FOOTINGS. POSTS ARE REQUIRED TO BE MECHANICALLY ATTACHED OR Laterally SUPPORTED TO BEAMS WHEN THE UNDERSIDE OF THE DECK FRAMING IS MORE THAN 2'-0" HIGH.

GUARDS

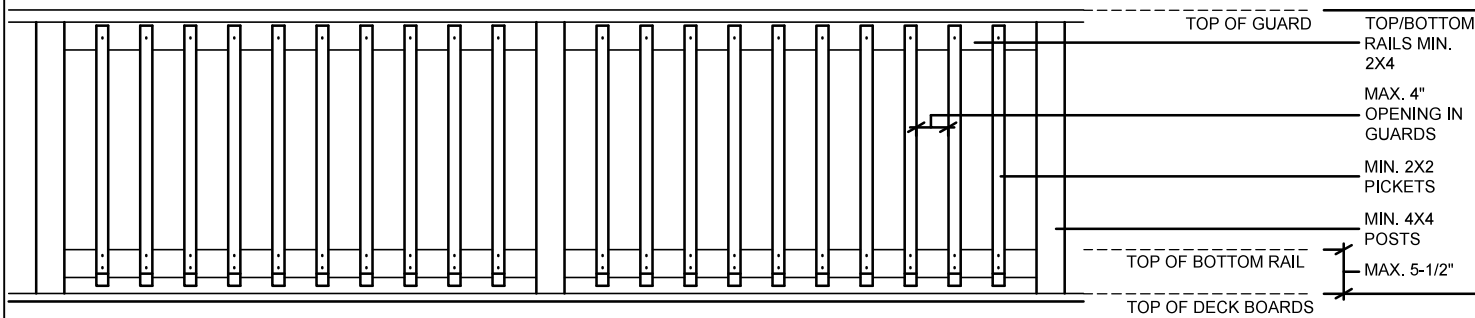
POSTS: POSTS ARE REQUIRED TO BE A MINIMUM OF 4" X 4" AND SECURED THROUGH THE DECK BOARDS INTO THE FRAMING MEMBERS AS PER A SB-7 DESIGN. SPACING OF POSTS DEPENDS ON WHICH SB-7 DETAIL IS CHOSEN.

PICKETS: PICKETS ARE REQUIRED TO BE A MINIMUM OF 2" X 2" AND SECURED WITH SCREWS AS PER A SB-7 DESIGN.

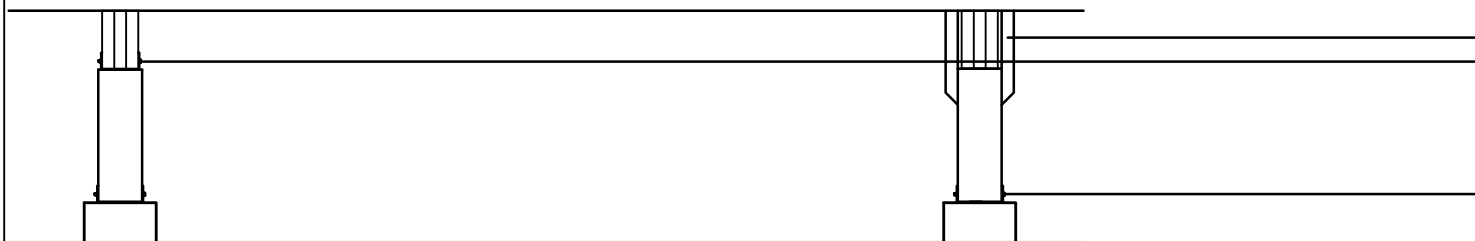
CLIMBABLE MEMBERS: THERE ARE TO BE NO HORIZONTAL MEMBERS BETWEEN 5-1/2" AND 36" IN ANY GUARD SYSTEM. THE TOP OF THE BOTTOM RAIL SHALL NOT BE MORE THAN 5-1/2" MEASURED FROM THE WALKING SURFACE.

OPENINGS: THERE SHALL BE NO OPENINGS IN ANY PART OF THE GUARD ASSEMBLY THAT WILL PERMIT THE PASSAGE OF A 4" SPHERE. THIS INCLUDES PICKETS, POSTS, ETC...

GUARD HEIGHT: GUARDS ARE NOT REQUIRED WHEN THE ELEVATION MEASURED FROM GRADE TO WALKING SURFACE IS LESS THAN 2'. WHEN GRADE HAS MORE THAN A 1 IN 2 SLOPE IT IS MEASURED 1.2 m OUT. WHEN ELEVATION IS BETWEEN 2' AND 5'-11" GUARDS SHALL BE NO LESS THAN 35-7/16". WHEN ELEVATION IS MORE THAN 5'-11" GUARDS SHALL BE NO LESS THAN 42" TALL. (NOTE: EVEN WHEN GUARDS ARE NOT REQUIRED, BUT ARE PROVIDED, THEY ARE REQUIRED TO CONFORM TO THE CODE)



GUARDS ARE NOT REQUIRED WHEN WALKING SURFACE IS LESS THAN 2'-0" FROM GRADE. GUARDS ARE REQUIRED TO BE MIN. 35-7/16" WHEN ELEVATION MEASURED TO WALKING SURFACE IS BETWEEN 2'-0" AND 5'-11". WHEN WALKING SURFACE IS MORE THAN 5'-11" GUARDS ARE REQUIRED TO BE MIN. 42". GUARDS/BLOCKING FOR GUARDS SHOULD CONFORM TO PART 9 AND SB-7 OF THE LATEST VERSION OF THE ONTARIO BUILDING CODE.



BEAMS ARE REQUIRED TO HAVE A MECHANICAL CONNECTION OR BE Laterally SUPPORTED. BEAMS AND JOISTS SHOULD BE SIZED AS PER PART 9 OF THE LATEST VERSION OF THE ONTARIO BUILDING CODE.

POST TO FOOTING CONNECTION REQUIRES MECHANICAL CONNECTION. POSTS AND FOOTINGS SHOULD BE SIZED AS PER PART 9 OF THE LATEST VERSION OF THE ONTARIO BUILDING CODE.

ATTACHMENT OF POSTS FOR GUARDS

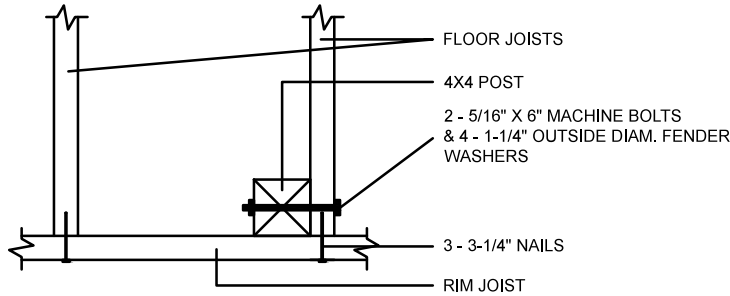
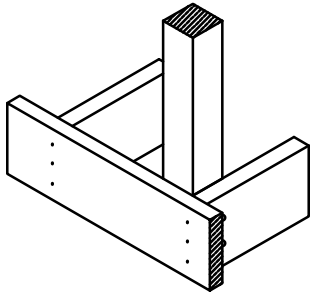
TOWN OF GRAVENHURST

THE FOLLOWING DETAILS ARE FOR GRAPHICAL REPRESENTATION ONLY AND SHOULD HAVE ALL DIMENSIONS/REQUIREMENTS VERIFIED THROUGH THE CURRENT ONTARIO BUILDING CODE REQUIREMENTS. THESE DETAILS WILL NOT BE ACCEPTED FOR USE OF A PERMIT APPLICATION.

SPACING OF POSTS

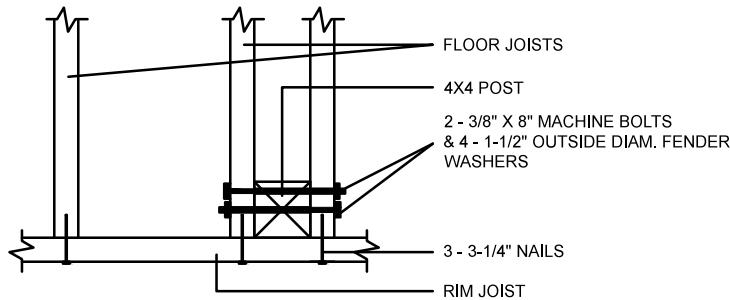
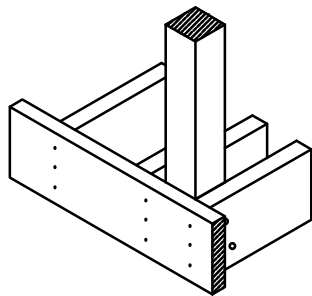
SPACING OF POSTS IS TAKEN FROM SB-7 TABLES USING SPRUCE-PINE-FIR.

DETAIL EB-3



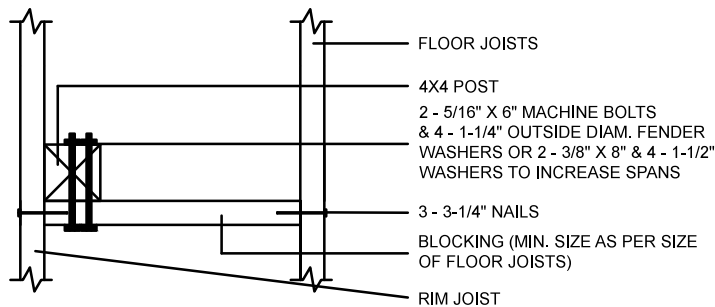
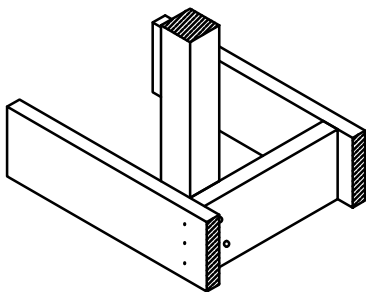
POST BOLTED TO FLOOR JOIST (5/16" BOLTS) (MAX. SPACING = 4'-3")

DETAIL EB-5



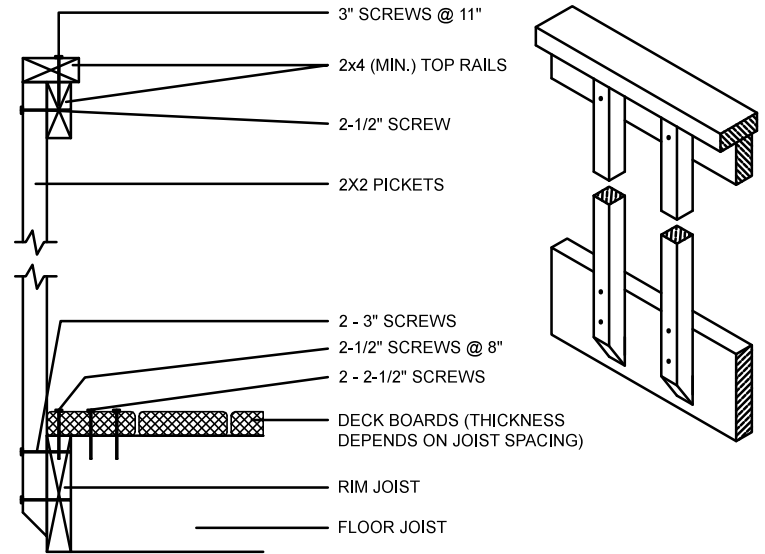
POST BOLTED TO TWO FLOOR JOISTS (MAX. SPACING = 7'-0")

DETAIL EB-6

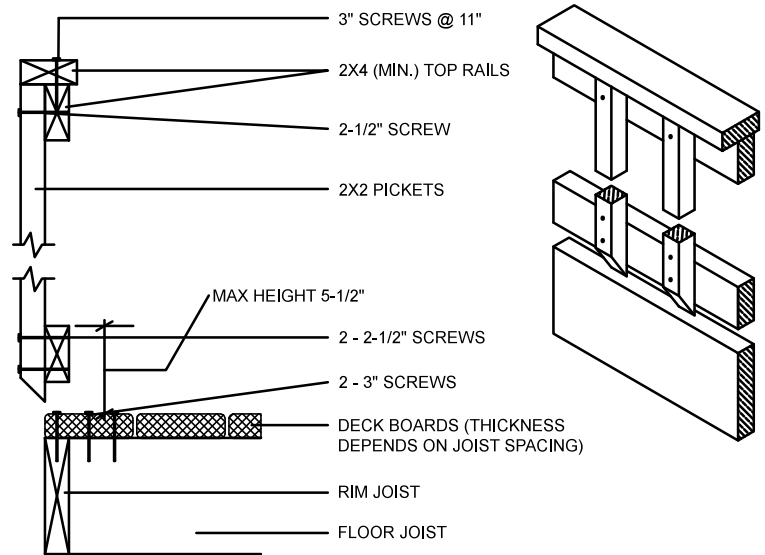


POST BOLTED TO BLOCKING AT RIM JOIST (MAX. SPACING DEPENDS ON CONNECTION METHOD)

DETAIL ED-1



PICKETS ATTACHED TO RIM JOIST



PICKETS ATTACHED TO BOTTOM RAIL

TYPICAL STAIR/GUARD DETAIL

TOWN OF GRAVENHURST

THE FOLLOWING DETAILS ARE FOR GRAPHICAL REPRESENTATION ONLY AND SHOULD HAVE ALL DIMENSIONS/REQUIREMENTS VERIFIED THROUGH THE CURRENT ONTARIO BUILDING CODE REQUIREMENTS. THESE DETAILS WILL NOT BE ACCEPTED FOR USE OF A PERMIT APPLICATION.

NOTES:

UNIFORM RISE/RUN

STAIRS ARE REQUIRED TO CONFORM TO THE REQUIREMENTS OF UNIFORMITY AND TOLERANCES FOR RISERS AND TREADS. RISERS IN ANY ONE FLIGHT OF STAIRS IS PERMITTED A MAX. TOLERANCE OF 5 mm BETWEEN ADJACENT TREADS AND 10 mm BETWEEN THE TALLEST AND SHORTEST RISERS. THE MIN. RISER HEIGHT IS 4-7/8", AND THE MAX. RISER HEIGHT IS 7-7/8". THE MIN. TREAD DEPTH IS 9-1/4", AND THE MAX. TREAD DEPTH IS 14". ALL STEPS ARE TO CONFORM TO THE REQUIREMENTS OF UNIFORMITY IN RISERS/TREADS.

HANDRAILS ON STAIRS

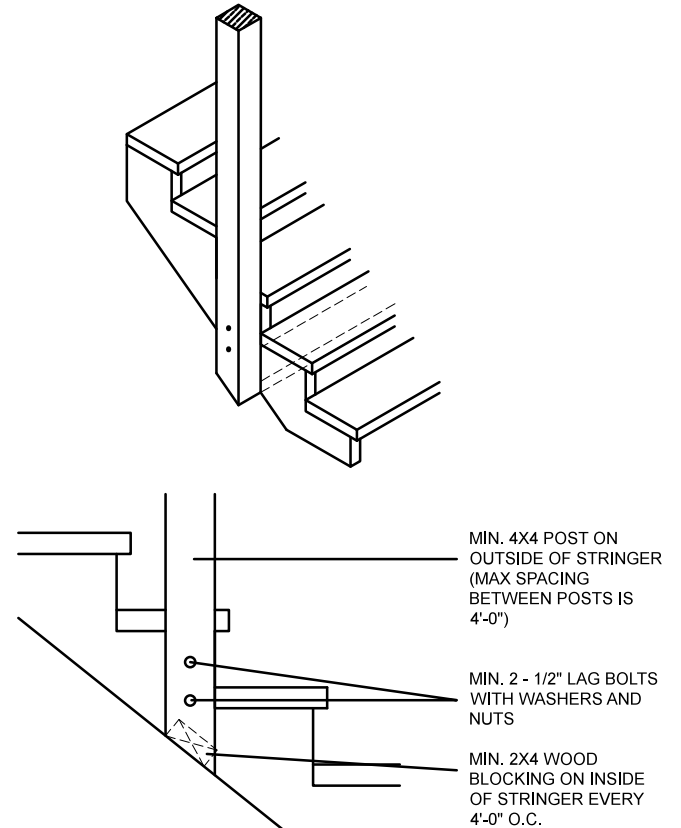
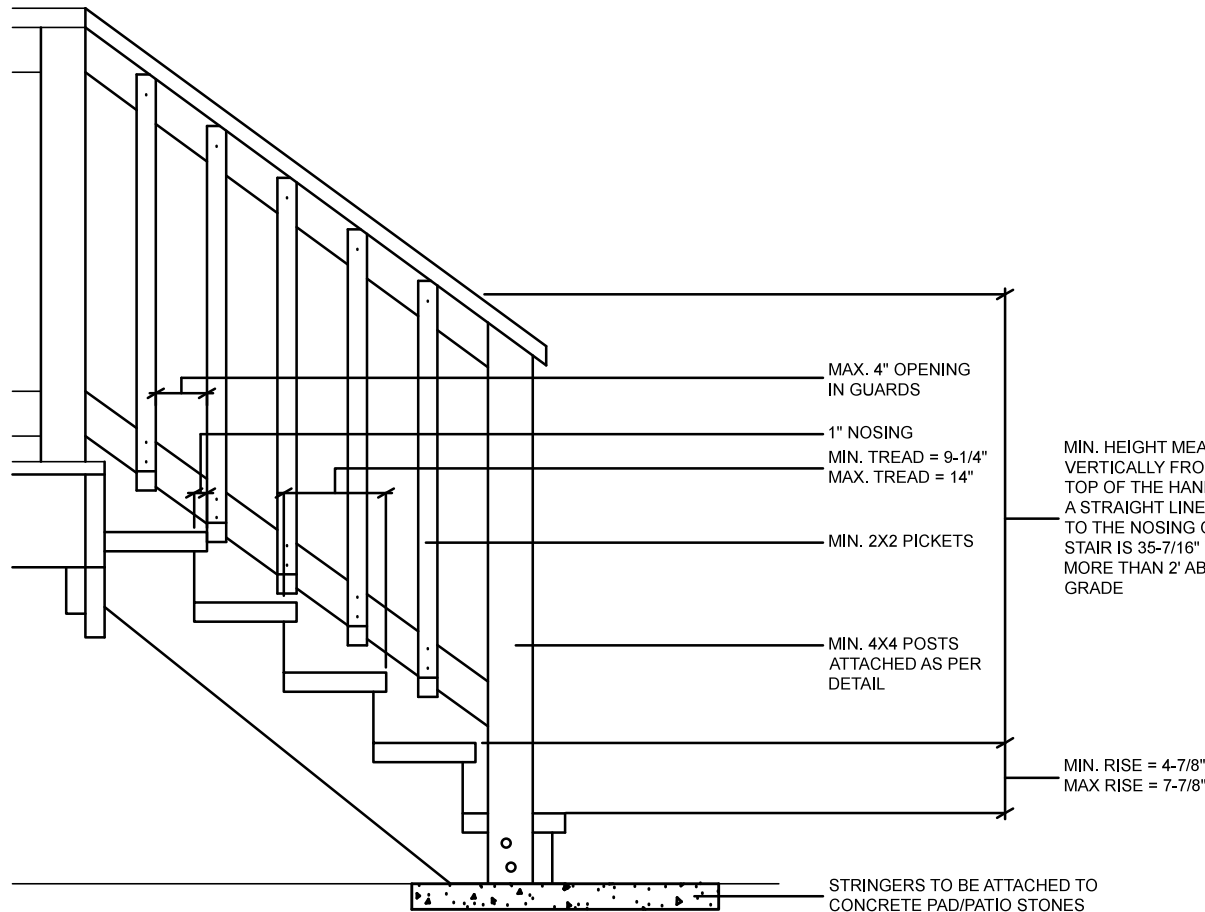
A SINGLE HANDRAIL IS REQUIRED FOR STAIRS SERVING A HOUSE WHEN EXTERIOR FLIGHTS OF STAIRS HAVE MORE THAN THREE RISERS. GUARDS ARE REQUIRED AT ANY POINT IN A SET OF STAIRS THAT IS MORE THAN 2' ABOVE GRADE. HANDRAILS ARE REQUIRED TO BE CONTINUOUS EXCEPT WHERE INTERRUPTED BY DOORWAYS, LANDINGS OR NEWELL POSTS AT CHANGE IN DIRECTION. THEY ARE ALSO REQUIRED TO CONFORM TO A MINIMUM HEIGHT OF 35-7/16" WHEN THE DECK IS MORE THAN 2' ABOVE GRADE. THERE SHALL BE NO GAP THAT WILL PERMIT THE PASSAGE OF A 4" SPHERE IN ANY RAILING SYSTEM.

POSTS IN HANDRAILS ON STAIRS

MAX. SPACING FOR POSTS IN HANDRAILS IS 4' UNLESS PROVEN OTHERWISE. POSTS ARE PERMITTED TO BE BOLTED THROUGH THE STRINGER ON THE OUTSIDE WITH USE OF 2 - 3/8" LAG BOLTS COMBINED WITH APPROPRIATE NUTS AND WASHERS. MIN. 2X4 WOOD BLOCKS SHALL BE PROVIDED BETWEEN STRINGERS EVERY 4'-0" O.C. MAX.

STRINGERS IN CONTACT WITH THE GROUND

STRINGERS SHALL NOT BE IN DIRECT CONTACT WITH THE GROUND. THE MATERIAL UNDER THE STRINGER SHALL ALLOW FOR WATER DRAINAGE (I.E. CONCRETE). STRINGERS SHOULD BE SUPPORTED AND SECURED AT THE TOP AND BOTTOM AND BE SPACED NOT MORE THAN 2'-11".



POST ATTACHED TO OUTSIDE OF STRINGER